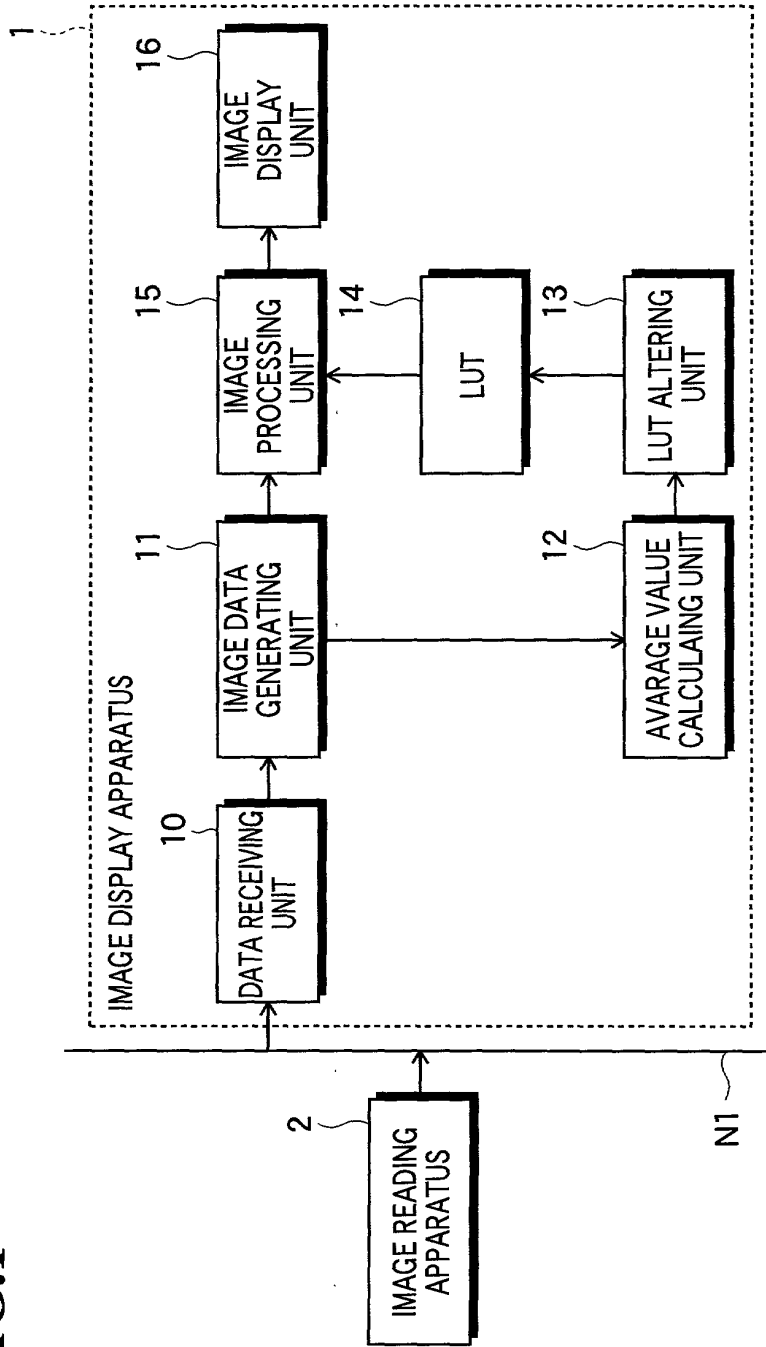


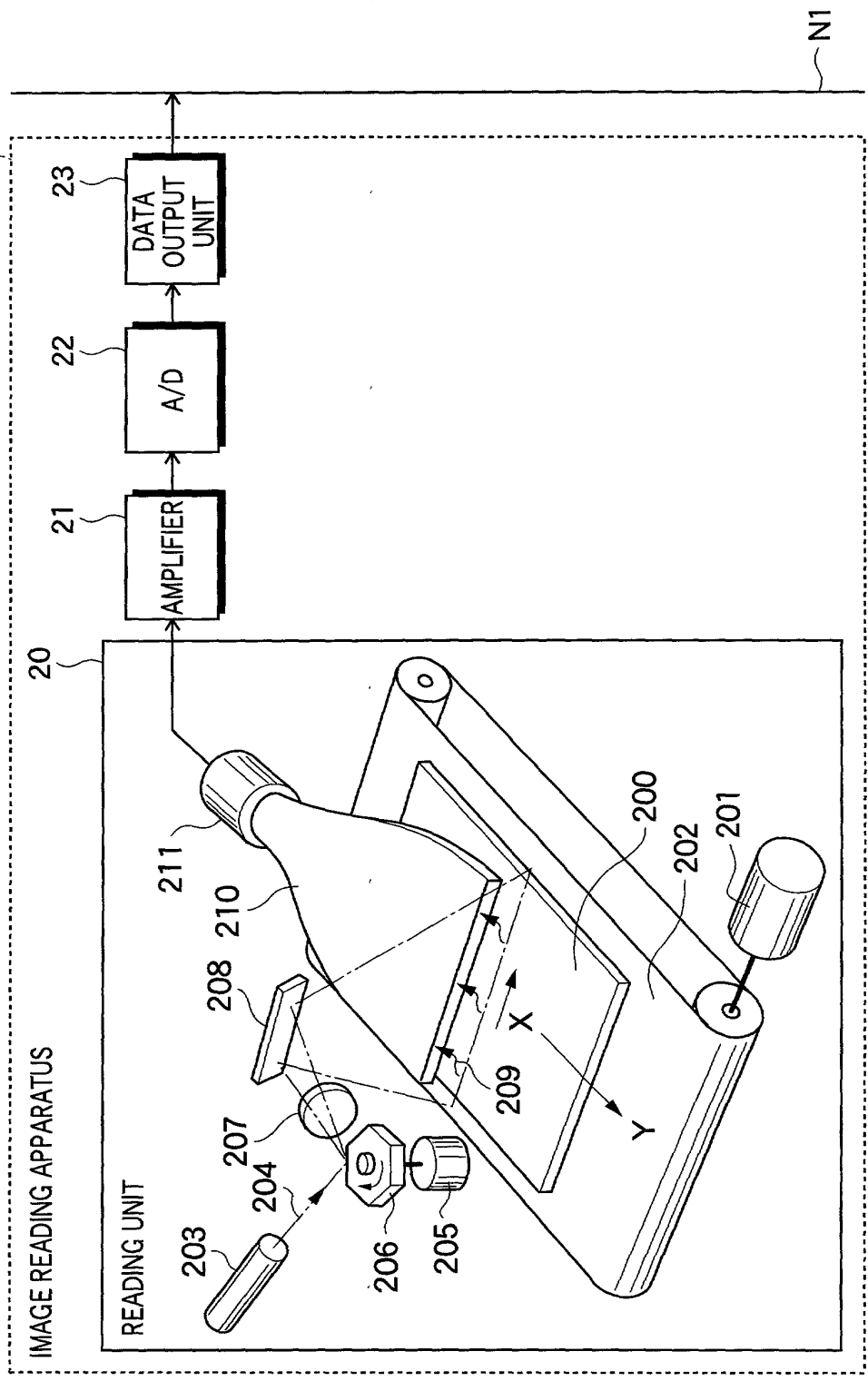
FIG. 1

FIG. 1



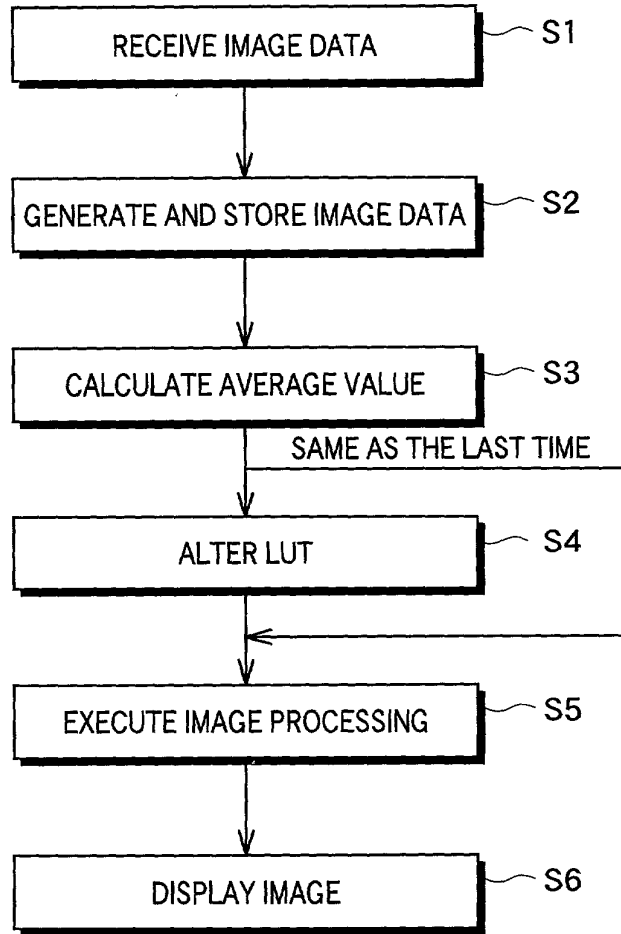
FOOT 6699660

FIG.2



N1

FIG.3



099999 4991
069999 669999

FIG.4A

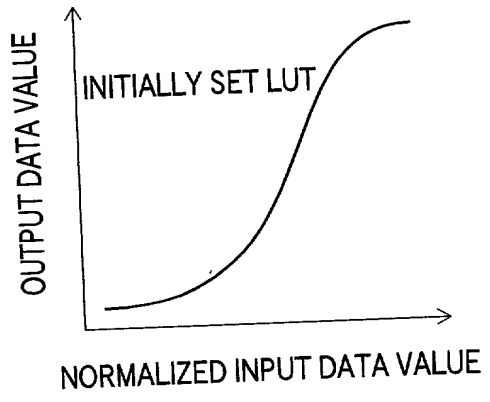
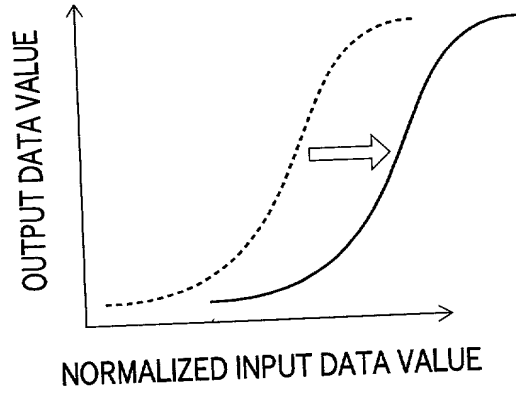


FIG.4B



FOOTER

FIG.5A

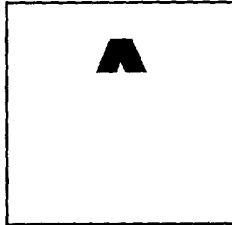


FIG.5B

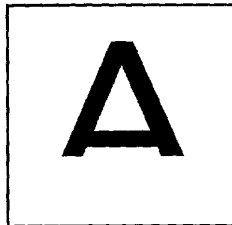
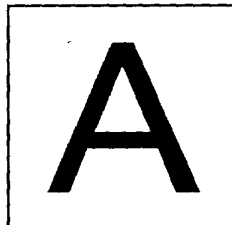


FIG.5C



FOOT 669866